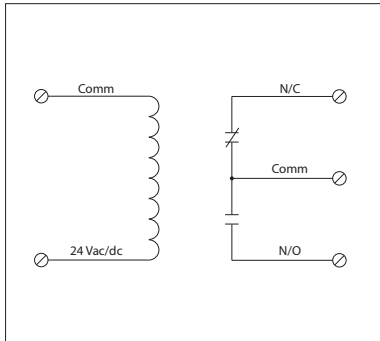


15 AMP TRACK MOUNT CONTROL RELAYS

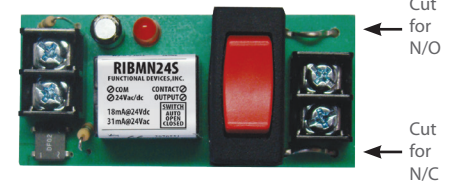
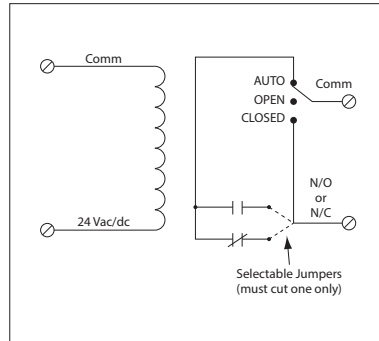
RIBMN24C

2.75" Track Mount Relay 15 Amp SPDT with 24 Vac/dc Coil



RIBMN24S

2.75" Track Mount Relay 15 Amp SPST + Override with 24 Vac/dc Coil



SPECIFICATIONS

Relays & Contact Type: One (1) SPDT Continuous Duty Coil (RIBMN24C)
One (1) SPST Continuous Duty Coil (RIBMN24S)

Expected Relay Life: 10 million cycles minimum mechanical

Operating Temperature: -30 to 140° F

Humidity Range: 5 to 95% (noncondensing)

Operate Time: 6ms

Relay Status: LED On = Activated

Dimensions (RIBMN24C): 1.100" x 2.750" x 0.750" (without track)

1.100" x 2.750" x 1.250" (including track)

Dimensions (RIBMN24S): 1.250" x 2.750" x 1.000" (without track)

1.250" x 2.750" x 1.500" (including track)

Track Mount: 2.750", See MT212 Series on page 152

MT212 Mounting Track Sold Separately

Approvals: UL Listed, UL916, UL864, C-UL California State Fire Marshal

Gold Flash: No

Override Switch: No (RIBMN24C), Yes (RIBMN24S)

Contact Ratings:

15 Amp General Use @ 125 Vac

10 Amp General Use @ 277 Vac

10 Amp Resistive @ 30 Vdc (N/O)

7 Amp Resistive @ 30 Vdc (N/C)

1/2 HP @ 125 Vac

1 HP @ 250 Vac

1/4 HP @ 277 Vac

C300 Pilot Duty

Coil Current:

26 mA @ 20 Vac

31 mA @ 24 Vac

48 mA @ 35 Vac

14 mA @ 20 Vdc

18 mA @ 24 Vdc

28 mA @ 35 Vdc

Coil Voltage Input:

24 Vac/dc ; 50-60 Hz

Drop Out = 3 Vac / 3.8 Vdc

Pull In = 20 Vac / 20 Vdc

Notes:

- Must cut appropriate jumper to select Normally Open or Normally Closed (RIBMN24S)